

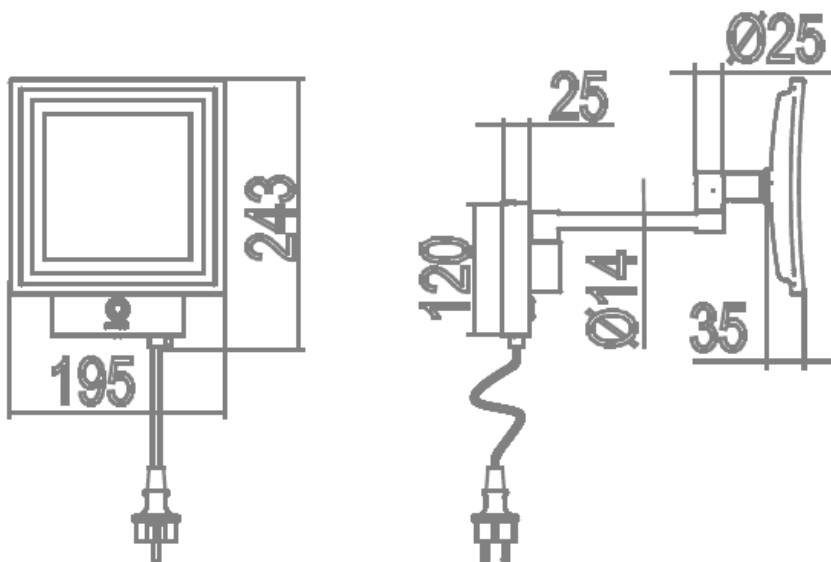
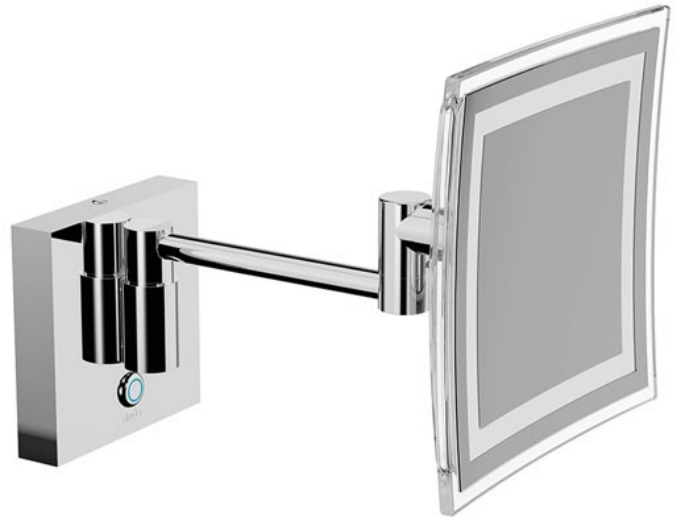
# Round WALL MOUNTED MAGNIFYING MIRROR



Code - AV258C CR  
Code - AV258C NE Matte Black

Features:  
3 x magnification

2 Year Replacement Warranty



Proudly imported and distributed by  
Gro Agencies Pty Ltd  
Unit 2 / 37 Howe St, Osborne Park, WA, 6017  
P 08 9446 3288 E info@groagencies.com.au W www.groagencies.com.au

